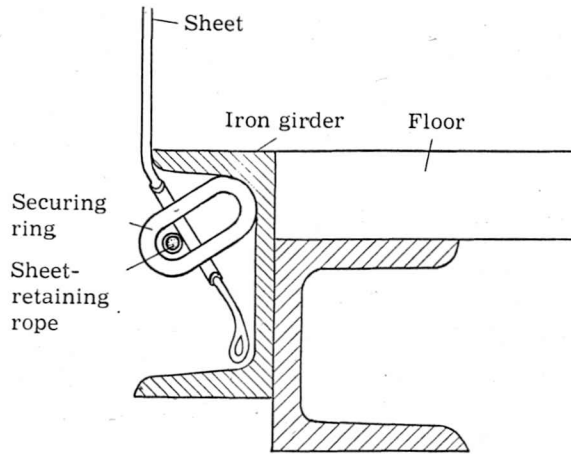


**Annex 6 — Sketch No. 1**

**CONSTRUCTION DEVICE FOR AFFIXING CONTAINER SHEETS**

The device illustrated below meets the requirements of Annex 4, article 4, sub-paragraph 6 (a).

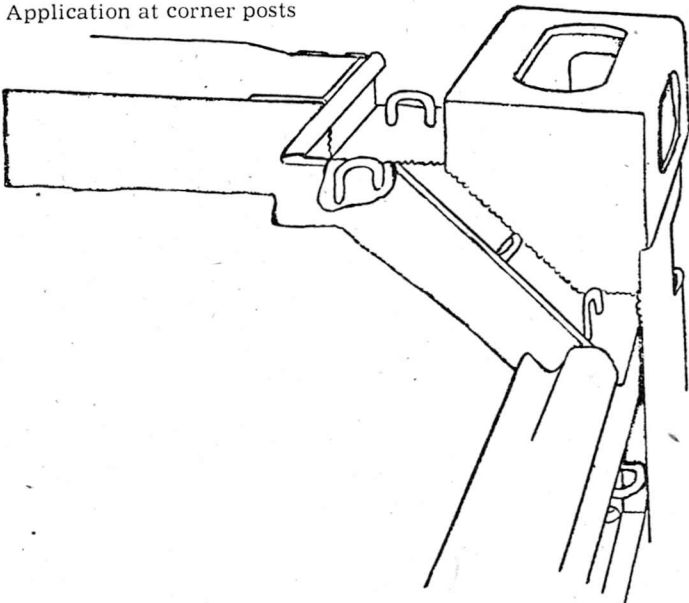


**Annex 6 — Sketch No. 2**

**DEVICE FOR AFFIXING SHEETS AROUND CONTAINERS' CORNER-CASTINGS**

The device illustrated below meets the requirements of Annex 4, article 4, sub-paragraph 6 (a).

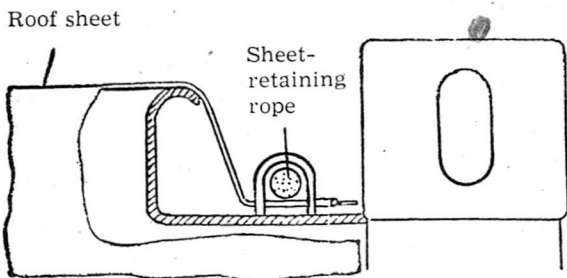
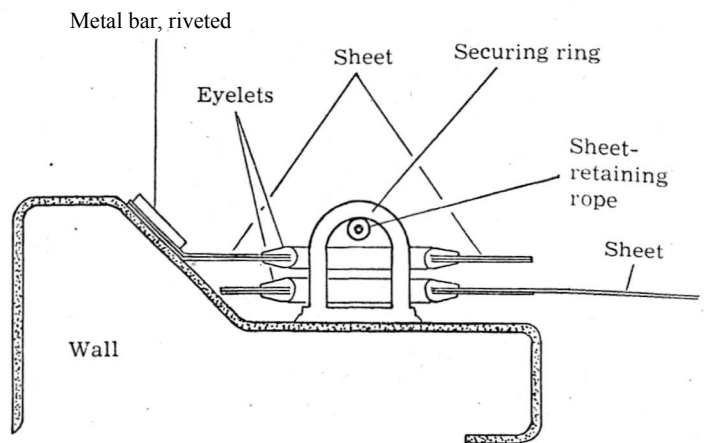
Application at corner posts



**\* Annex 6 — Sketch No. 3**

**FURTHER EXAMPLE OF A METHOD OF AFFIXING CONTAINER SHEETS**

The device illustrated below meets the requirements of the last part of paragraph 10 of article 4 of Annex 4. It also meets the requirements of Annex 4, article 4, paragraph 6.



Sectional view